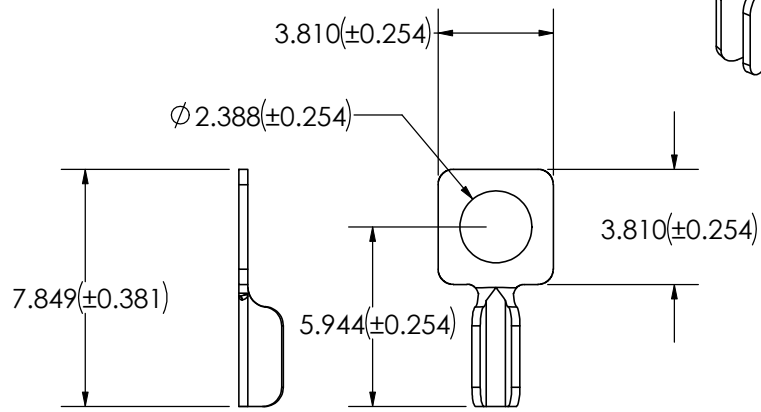
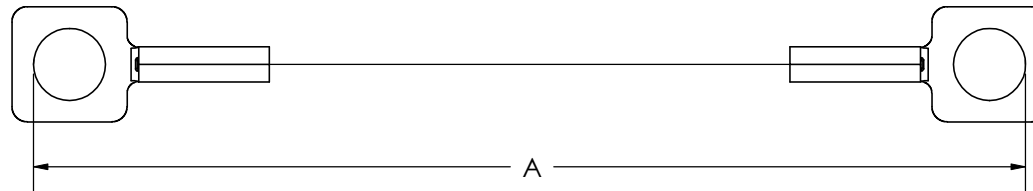
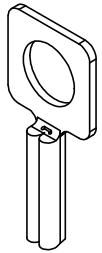
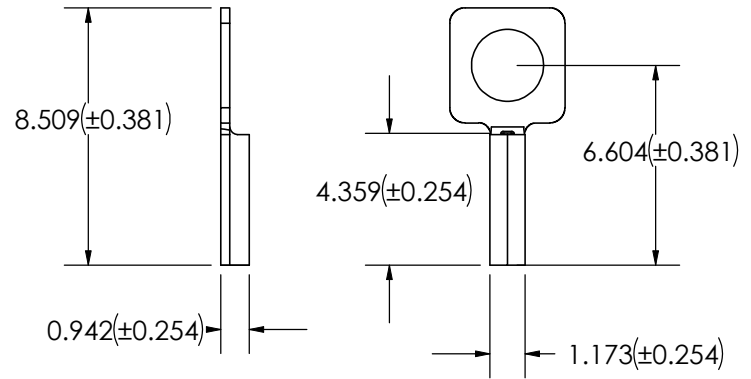


**Before crimping**



**After crimping\***



**REFERENCE ONLY**

\*MAY CHANGE SLIGHTLY WITH DIFFERENT WIRE DIAMETERS  
DOES NOT INCLUDE MINIMAL FLASH/DEFORMATIONS THAT ARE CREATED DURING CRIMPING



SCALE: 4:1

UNITS: mm

**PROPRIETARY**

THE INFORMATION CONTAINED IN THIS DRAWING IS THE SOLE PROPERTY OF DYNALLOY Inc. ANY REPRODUCTION IN PART OR AS A WHOLE WITHOUT THE WRITTEN PERMISSION OF DYNALLOY Inc IS PROHIBITED.

TITLE:

Ring Terminal Crimp without Insulation Holder

FORM:

6983

MATERIAL:

Brass

SHEET 1 OF 1